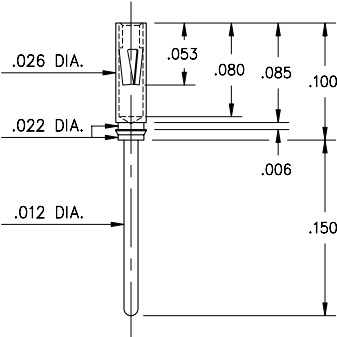
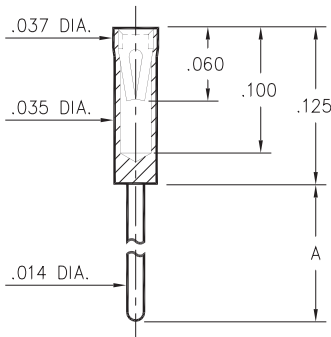


## 8210



**8210-0-15-15-04-27-04-0**  
Press-fit in .024/.027 stepped hole

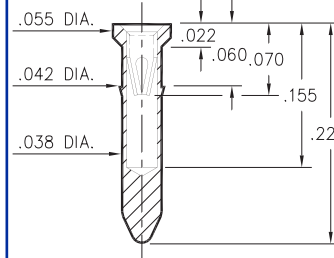
## 0464



**0464-X-15-XX-10-XX-04-0**  
Solder mount in .016 min. mounting hole

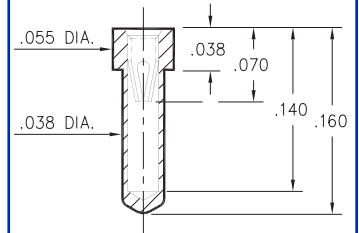
Basic Part Number	Length A
0464-0	.125
0464-1	.250

## 9225



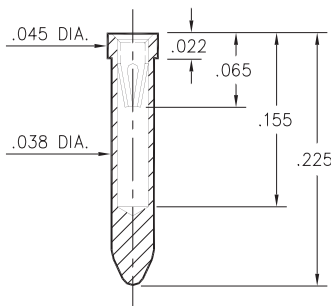
**9225-0-15-XX-10-XX-10-0**  
Press-fit in .039 mounting hole

## 0529



**0529-0-15-XX-10-XX-10-0**  
.040 min. mounting hole

## 8947



**8947-0-15-XX-10-XX-10-0**  
Solder mount in .040 min. mounting hole

### SPECIFICATIONS

**SHELL MATERIAL:**  
Brass Alloy 360, 1/2 Hard

**CONTACT MATERIAL:**  
Beryllium Copper Alloy 172, HT

**DIMENSION IN INCHES**  
**TOLERANCES ON:**  
LENGTHS: ±.005  
DIAMETERS: ±.002  
ANGLES: ± 2°

**ORDER CODE: XXXX - X - XX - XX - XX - XX - XX - 0**

**BASIC PART #**

**SPECIFY SHELL FINISH:**  
01 200µ" TIN/LEAD OVER NICKEL  
80 200µ" TIN OVER NICKEL   
15 10µ" GOLD OVER NICKEL

**SPECIFY CONTACT FINISH:**  
02 100µ" TIN/LEAD OVER NICKEL  
84 100µ" TIN OVER NICKEL   
27 30µ" GOLD OVER NICKEL



**SELECT CONTACT**

#04 or #10 CONTACT (DATA ON PAGE 205)